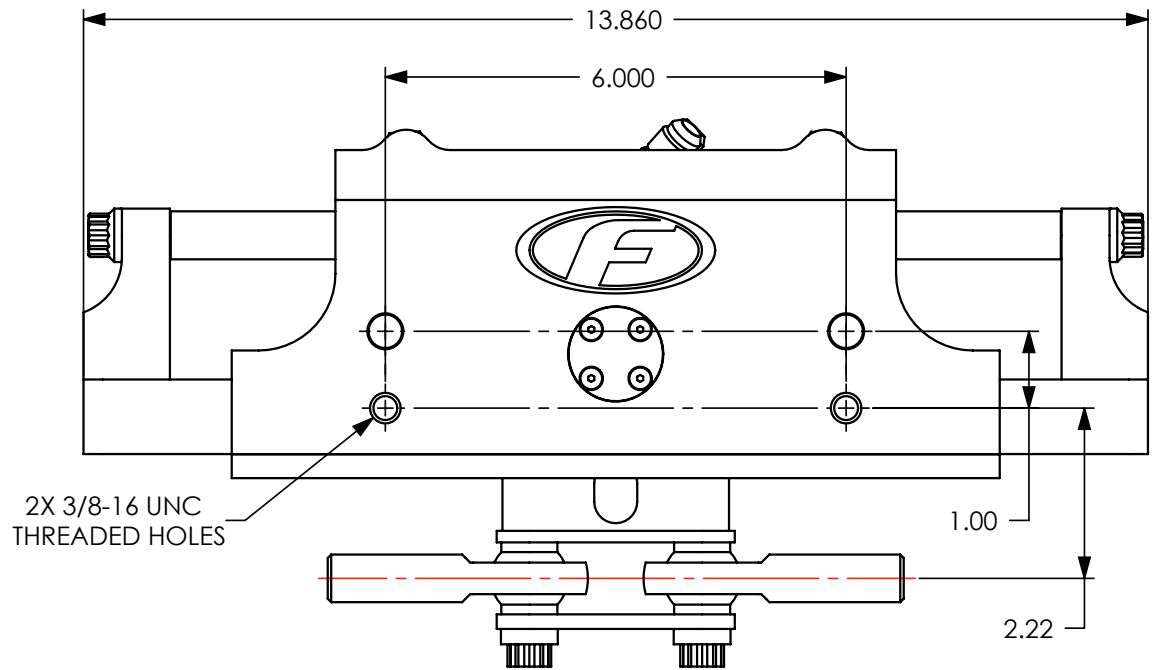


SHOWN WITH HIGH
MISALIGNMENT ROD END,
ROD END IS NOT SUPPLIED
WITH RACK



THRU HOLE AND C'BORE FOR
7/16 SOCKET HEAD CAP SCREW
2 PLACES

2.16
(MAX THROW
TO EACH SIDE,
4.30" TOTAL TRAVEL)

